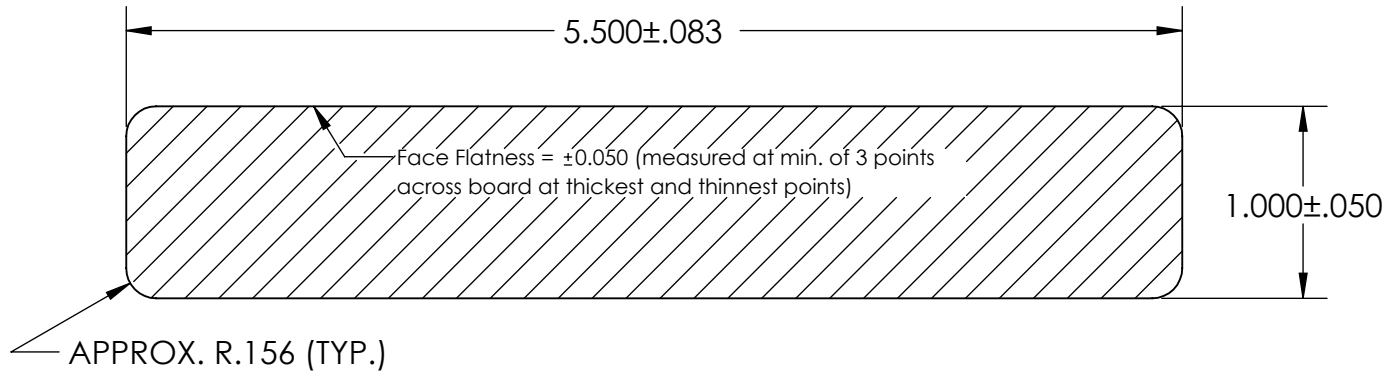


DIMENSION DATA			
	MIN	TARGET	MAX
THICKNESS (in)	0.950	1.000	1.050
WIDTH (in)	5.417	5.500	5.583
TEST WEIGHT (g/6")	454	477	500

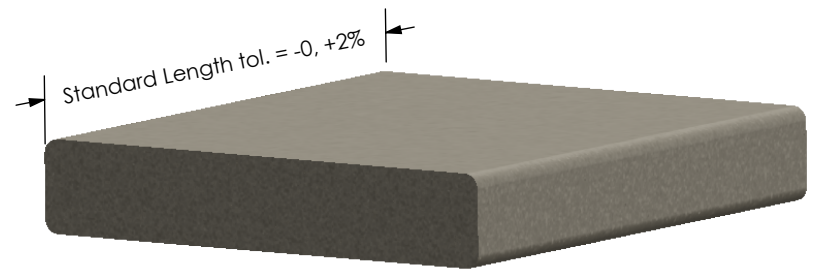
PROPRIETARY AND CONFIDENTIAL
 THE INFORMATION CONTAINED IN THIS DRAWING IS THE SOLE PROPERTY OF N.E.W. PLASTICS CORP. ANY REPRODUCTION IN PART OR AS A WHOLE WITHOUT THE WRITTEN PERMISSION OF N.E.W. PLASTICS CORP. IS PROHIBITED.



N.E.W. PLASTICS CORP.
 112 Fourth St.
 PO BOX 480
 Luxemburg, WI 54217 (USA)

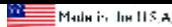


END VIEW
 SCALE = 1:1



PERSPECTIVE VIEW
 SCALE = 1:2

DO NOT SCALE DRAWING



PROFILE DESC.: 1" x 5 1/2" Eased Edge
 (25.4mm x 139.7mm)

APPROX. UNIT WEIGHT: 2.10 Lbs. / Lin. Ft. (31.25 g/cm)

MINIMUM ORDER REQ'S (Lin. Ft.): ABSOLUTE MIN. ORDER = TO AVOID CHARGE =

PROFILE CODE: 0516

VERIFIED

CREATED DATE
 12/8/2020

LAST MODIFIED DATE
 1/13/21

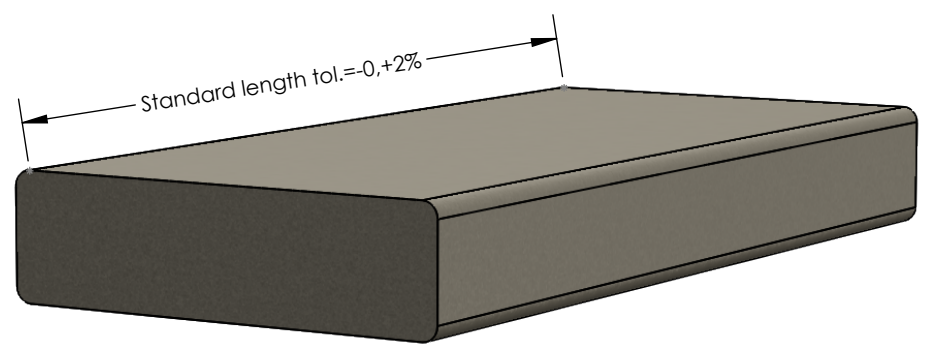
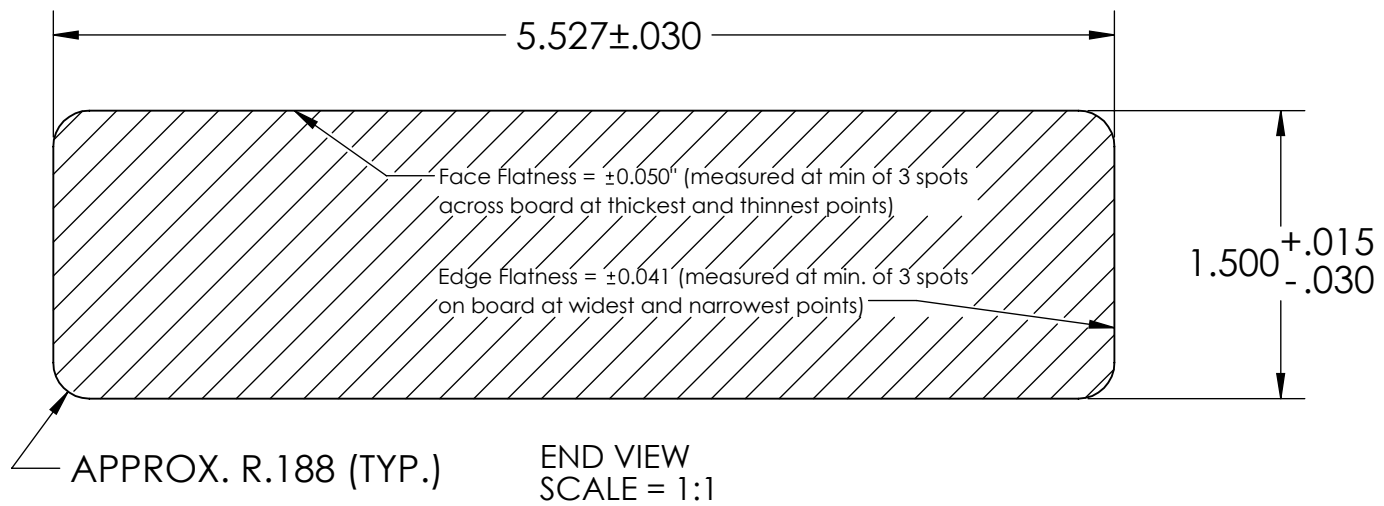


DIMENSION & WEIGHT DATA			
	MIN	TARGET	MAX
THICKNESS (in)	1.470	1.500	1.515
WIDTH (in)	5.497	5.527	5.557
TEST WEIGHT (g/6")	627	660	693
SLEEVE #(S)	313		

PROPRIETARY AND CONFIDENTIAL
 THE INFORMATION CONTAINED IN THIS DRAWING IS THE SOLE PROPERTY OF N.E.W. PLASTICS CORP. ANY REPRODUCTION IN PART OR AS A WHOLE WITHOUT THE WRITTEN PERMISSION OF N.E.W. PLASTICS CORP. IS PROHIBITED.



N.E.W. PLASTICS CORP.
 112 Fourth St.
 PO BOX 480
 Luxemburg, WI 54217 (USA)



PROFILE DESC.: 1 1/2" x 5 1/2" Eased Edge 38.1mm x 139.7mm Eased Edge	PROFILE CODE: 0691	CREATED DATE 11/18/2020
APPROX. UNIT WEIGHT: 2.91 Lbs. / Lin. Ft. (43.3 g/cm)	VERIFIED A.PHILLIPS 12/1/20	LAST MODIFIED DATE 11/18/2020
MINIMUM ORDER REQ'S (Lin. Ft.): ABSOLUTE MIN. ORDER = TO AVOID CHARGE = N/A		

